

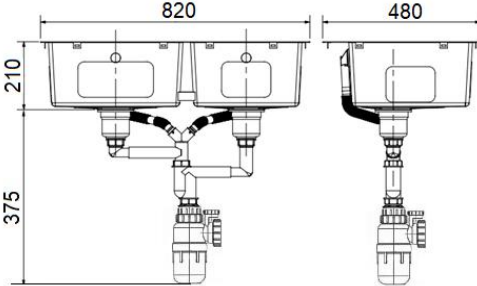
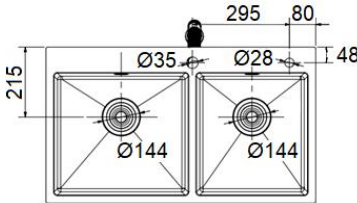




PROJECT		REF		REV	ITEM CODE	
LOCATION		DATE			PAGE	

SANITARY WARE SPECIFICATION SHEET

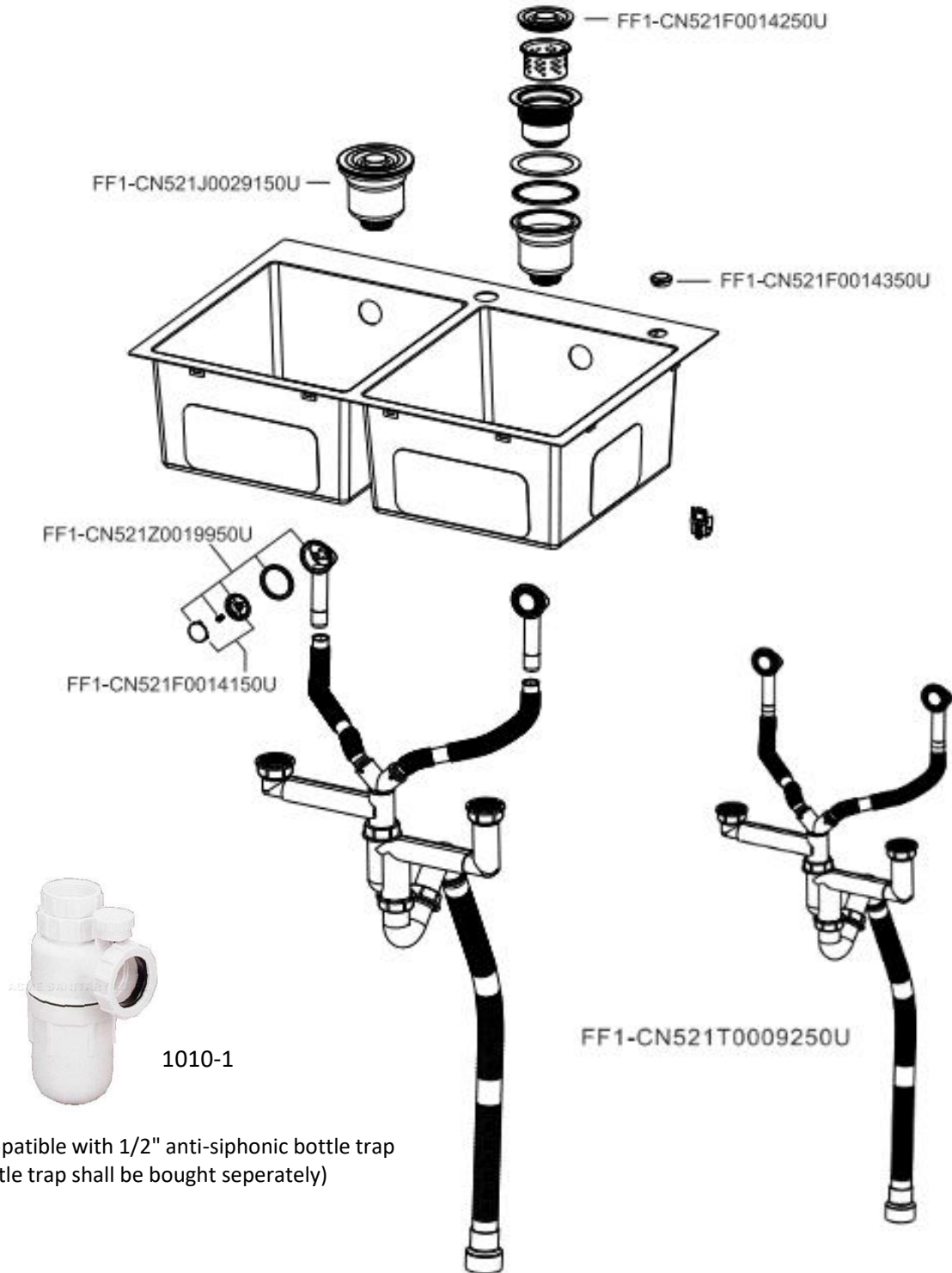
Item Descriptions	American Standard (PRC) Stainless steel in grade 304 two-bowl sink	Illustration/ Drawing
Dimensions	L820 x W480 x H210 mm (Bowl)	   
Model	101371MS00	
Material	Stainless Steel 304	
Finish	Satin	
Manufacturer	American Standard (PRC)	
Source	Acme Sanitary Ware Co. Ltd Mr. Eric Wong/ Mr. Don Yuen	
Contact Tel/Fax	(852) 2388-7171 / (852) 2710-8012	
E-mail	acme@acmesanitary.com.hk	
Website	www.acmesanitary.com.hk	
<p><u>Detail specifications</u></p> <ul style="list-style-type: none"> • Top/Under Counter Handmade Two-bowls Sink • High Quality SUS304 Stainless Steel • Strong Ability for Anti-corrosion and Anti-oxidation • Handmade Process and High-end Satin Finish • Rearward- waste design • Capacity (to overflow): 18.5/15L • With SUS304 drain and PP Material Waste • SUS304 Sheet Thickness 2.0mm (Panel) / 1.0 (Body) • With box packaging / Product weight: 12.6 kg • Standards Criteria: Q/ASJM 004-2023 		

Note: Bottle trap is excluded.

* All information of the above is for the reference only. No prior notice is made if any changes.



SANITARY WARE SPECIFICATION SHEET



Compatible with 1/2" anti-siphonic bottle trap
(Bottle trap shall be bought seperately)

Note: Bottle trap is excluded.

* All information of the above is for the reference only. No prior notice is made if any changes.